



Z817-6-HDG

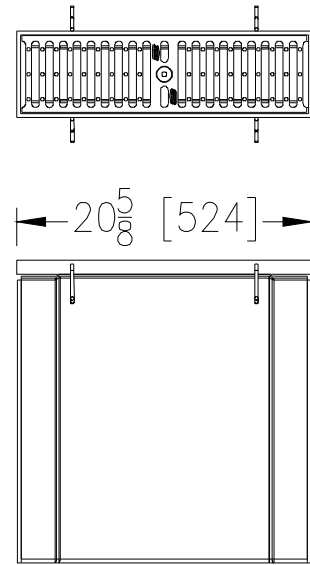
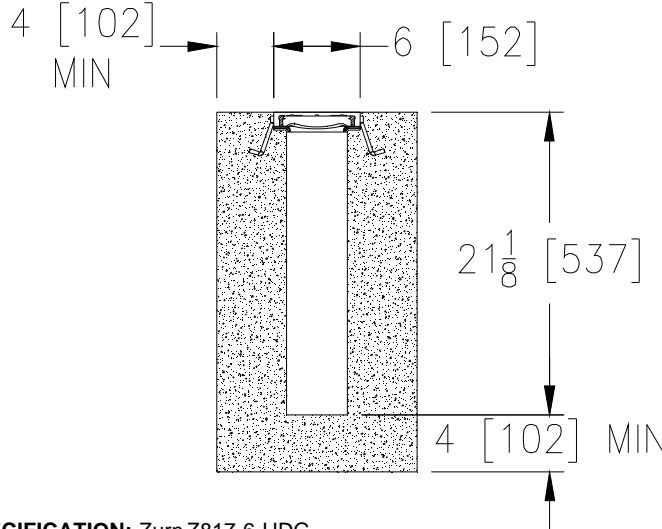
SPECIFICATION SHEET

6 [159] x 20 [508] WIDE REVEAL FIBER REINFORCED POLYMER CATCH BASIN WITH GALVANIZED STEEL FRAME

TAG _____

Dimensional Data (inches and [mm]) are Subject to Manufacturing Tolerances and Change Without Notice

SPECIFYING ENGINEER IS RESPONSIBLE FOR CONCRETE ENCASEMENT AND REINFORCING BASED UPON APPLICATION AND LOCAL CODES



ENGINEERING SPECIFICATION: Zurn Z817-6-HDG

Catch Basin shall be 6 [152] long, 20 [508] wide reveal and 20 [508] deep. The body shall be made of 0% water absorbent Fiber Reinforced Polyester (FRP) fiberglass. Shall mechanically lock into the concrete surround a minimum of every 10 [254]. Catch basin shall weigh less than 11 bs. [5kg] per linear foot. Catch basin shall have rebar clips standard to secure basin in its final location. Shall be provided with standard GDC grates that lock down with lockdown bars to the basin. Zurn 6 [152] wide reveal Galvanized Ductile Iron Slotted Grate conforming to ASTM specification A536-84, Grade 80-55-06. Ductile Iron grate is rated class C per the DIN EN1433 top load classifications. Supplied in 20 [508] nominal lengths with 1/2 [13] wide slots, and 3/4 [19] bearing depth. Grate has an open area of 28.1 sq. in per ft. [59,463 sq. mm per meter]. The .105 [2.66] thick Heavy-Duty Carbon Steel Galvanized Frame Assembly conforms to ASTM specification A36 and Galvanizing conforms to ASTM specification A123 with 4 - 4 [102] long concrete anchors per basin. All welds must be performed by a certified welder per ASTM standard AWS D1.1. Frames Shall be produced in the U.S.A.

PREFIX OPTIONS (Check/specify appropriate options)

- Z 6 inch by 20 inch Fiber Reinforced Polymer (FRP)*
- ZV 6 inch by 20 inch Fiber Reinforced Vinylester

SUFFIX OPTIONS (Check/specify appropriate options)

Outlet Adapters Add/Each

- | | | | |
|------------------------------|---------------------------|------------------------------|------------------------------|
| <input type="checkbox"/> -E4 | 4 [102] No-Hub End Outlet | <input type="checkbox"/> -U4 | 4 [102] No-Hub Bottom Outlet |
| <input type="checkbox"/> -E6 | 6 [152] No-Hub End Outlet | <input type="checkbox"/> -U6 | 6 [152] No-Hub Bottom Outlet |
| <input type="checkbox"/> -E8 | 8 [204] No-Hub End Outlet | <input type="checkbox"/> -U8 | 8 [204] No-Hub Bottom Outlet |

Grate Options (Load Classifications are per DIN EN1433)

- BDC Black Acid Resistant Epoxy Coated Ductile Grate - Class C
- BDE Black Acid Resistant Epoxy Coated Ductile Grate - Class E
- DC Ductile Iron Solid Cover - Class C
- DGC Ductile Iron Slotted Grate - Class C *
- DGE Ductile Iron Slotted Grate - Class E
- GDC Galvanized Ductile Slotted Grate - Class C
- GDE Galvanized Ductile Slotted Grate - Class E
- GHPD Galvanized Heel-Proof Ductile Grate - Class B
- GHPDE Galvanized Heel-Proof Ductile Grate - Class E
- HPD Heel-Proof Ductile Slotted Grate - Class B
- HPDE Heel-Proof Ductile Slotted Grate - Class E
- HPP Heel-Proof Polyethylene Grate - Class A
- LD Ductile Iron Longitudinal Slotted Grate - Class B
- RFG Reinforced Galvanized Steel Slotted Grate - Class B
- RPG Reinforced Galvanized Perforated Grate - Class B
- RFGC Reinforced Slotted Galvanized Grate - Class C
- RPGC Reinforced Perforated Galvanized Grate - Class C
- RPGRC Reinforced Perforated Galvanized Reverse Punch Grate - Class C

MADE in the U.S.A. (Load Classifications are per DIN EN1433)

- | | |
|-------------------------------------|---|
| <input type="checkbox"/> -AWG | Aluminum Wire Grate - Class A |
| <input type="checkbox"/> -BDE-USA | Black Acid Resistant Epoxy Coated Ductile Grate - Class E |
| <input type="checkbox"/> -DGC-USA | Ductile Iron Slotted Grate - Class C |
| <input type="checkbox"/> -DGE-USA | Ductile Iron Slotted Grate - Class E |
| <input type="checkbox"/> -GHPDE-USA | Galvanized Heel-Proof Ductile Grate - Class E |
| <input type="checkbox"/> -HPDE-USA | Heel-Proof Ductile Slotted Grate - Class E |
| <input type="checkbox"/> -PPC | Plastic Perforated Grate - Class C |

Decorative MADE in the U.S.A. (Load Classifications are per DIN EN1433)

- | | |
|-------------------------------|--|
| <input type="checkbox"/> -BZ | Bronze Decorative Grate - Class A |
| <input type="checkbox"/> -NBZ | Nickel Bronze Decorative Grate - Class A |

Decorative Grate Options (Load Classifications are per DIN EN1433)

- BCD Bronze Circular Decorative Grate - Class A
- BDD Bronze Diagonal Decorative Grate - Class A
- DCD Ductile Iron Circular Decorative Grate - Class C
- DDD Ductile Iron Diagonal Decorative Grate - Class A
- DOG Ductile Iron Decorative Grate - Class A
- DWV Ductile Wave Decorative Grate - Class A
- HPB Heel-Proof Bronze Slotted Grate - Class A

*REGULARLY FURNISHED UNLESS OTHERWISE SPECIFIED

REV. C DATE: 05/14/12 C.N. NO. 124320

PROD/DWG. NO. Z817-6-HDG

ZURN INDUSTRIES, LLC ♦ SPECIFICATION DRAINAGE OPERATION ♦ 1801 Pittsburgh Ave. ♦ Erie, PA 16514

Phone: 814455-0921 ♦ Fax: 814454-7929 ♦ World Wide Web: www.zurn.com

In Canada: ZURN INDUSTRIES LIMITED ♦ 3544 Nashua Drive ♦ Mississauga, Ontario L4V1L2 ♦ Phone: 905405-8272 Fax: 905405-1292